

ELECTROLUX OUTDOOR PRODUCTS

PNC	Type/Prefix/nd	Model	Brand
953900219	02	MAC 538E	McCULLOCH
953900220			McCULLOCH
953900495			McCULLOCH
953900481			McCULLOCH
953900221			McCULLOCH
953900230	02	P 538E	Partner
953900231			
953900265			
953900310			

Number of Pages 1 of 7

Factory: IIQ - Valmadrera	Product Group: OP 93
Publication Number: EIPL2004_VP0406006	Petrol Portable
Publication Date: 29/06/04	Sub Group 9430

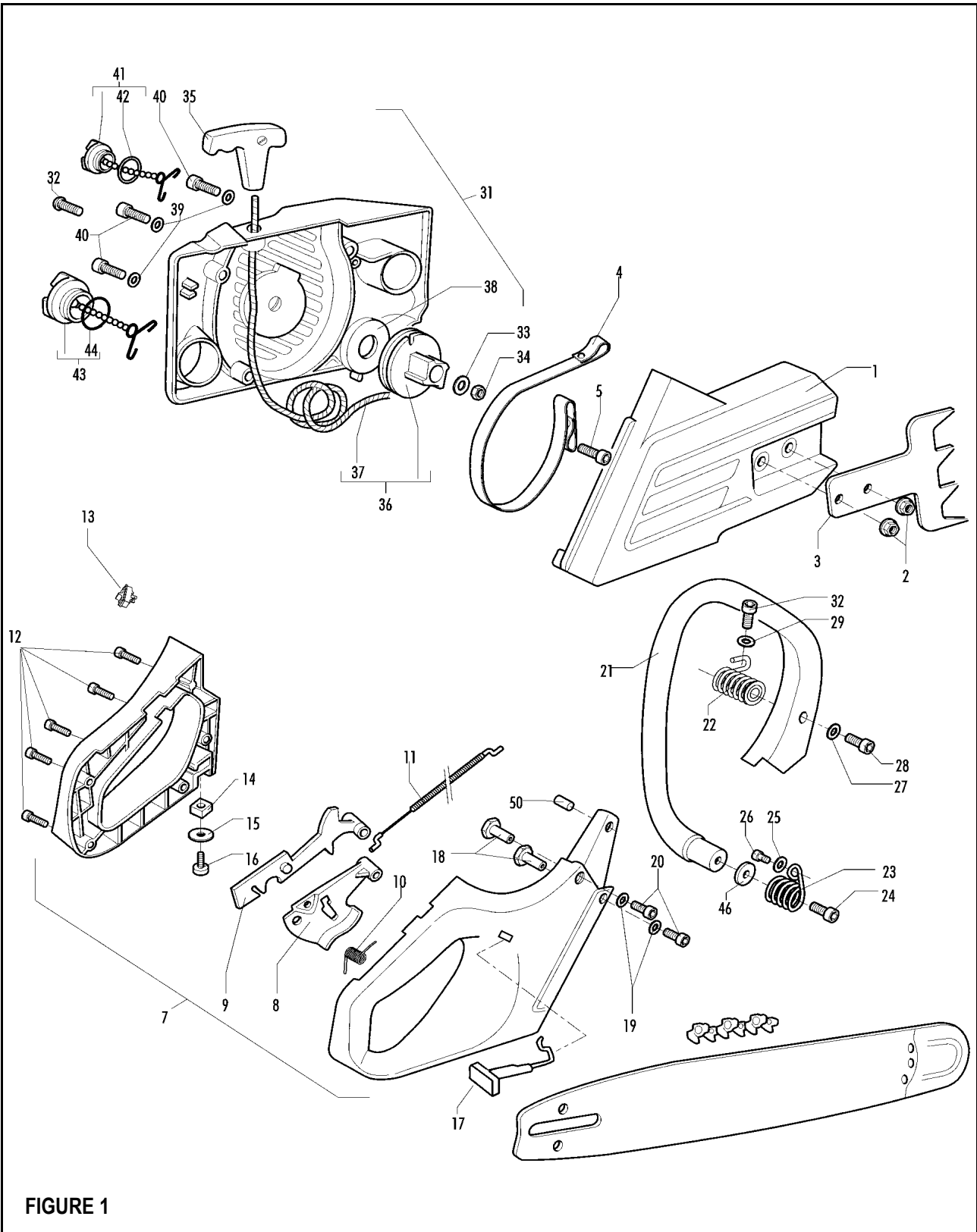


FIGURE 1

Item	P/N McC	P/N ELX	Qty	DESCRIPTION
------	---------	---------	-----	-------------

Item	P/N McC	P/N ELX	Qty	DESCRIPTION
------	---------	---------	-----	-------------

FIGURE 1

C 1	248438	538248438	1	kit clutch cover
A 2	242501	538242501	2	nut M6
C 3	241993	538241993	1	spiked bumper
B 4	235073	538235073	1	band brake
5	235812	538235812	1	special brake screw
C 7	243027	538243027	1	rear handle assy
C 8	• 240301	538240301	1	throttle trigger
C 9	• 240302	538240302	1	safety trigger
10	• 240303	538240303	1	throttle trigger spring
C 11	• 240367	538240367	1	throttle cable assy
12	• 240862	538240862	5	screw 4x18
C 13	• 242439	538242439	1	switch
14	229524	538229524	1	nut M5
15	227259	538227259	1	washer
16	240845	538240845	1	screw
C 17	243025	538243025	1	choke knob assy
18	240315	538240315	2	nut
19	235248	538235248	2	washer M5
20	235802	538235802	2	screw M5x14
21	240281	538240281	1	front handle
B 22	241231	538241231	1	spring
B 23	240285	538240285	1	spring
24	240354	538240354	1	screw 6x30
25	235248	538235248	1	washer M5
26	235802	538235802	1	screw M5x14
27	235248	538235248	1	washer M5
28	235803	538235803	1	screw M5x25
29	227259	538227259	1	washer
30	235802	538235802	1	screw M5x14
C 31	241854	538241854	1	starter assy
32	• 240316	538240316	1	screw M5x35
33	• 240921	538240921	1	washer
34	• 229208	538229208	1	nut M5
35	• 240884	538240884	1	starter handle
B 36	• 235372	538235372	1	pulley and rope
A 37	•• 235042	538235042	1	rope
B 38	• 235040	538235040	1	spring
39	235248	538235248	3	washer M5
40	236997	538236997	3	M5x30 screw
B 41	240866	538240866	1	oil cap assy
C 42	• 235511	538235511	1	O-ring (oil cap)
B 43	240865	538240865	1	fuel cap assy
C 44	• 235510	538235510	1	O-ring (fuel cap)
46	236934	538236934	1	washer
50	240323	538240323	1	spacer

A=ALTA ROTAZIONE
 B=MEDIA ROTAZIONE
 C=ALTA ROTAZIONE
 NUOVI CODICI

A=HIGH MOVING
 B=MEDIUM MOVING
 C=SLOW MOVING
 NEW P. NUMBERS

A=HAUTE DEMANDE
 B=MOYENNE DEMANDE
 C=BASSE DEMANDE
 NOUVELLES REFERENCES

A=GROBE NACHFRAGE
 B=MITTELMAESSIGE
 C=WENIGE NACHFRAGE
 NEU CODEX

FIGURE 3

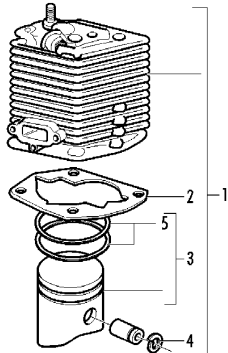


FIGURE 4

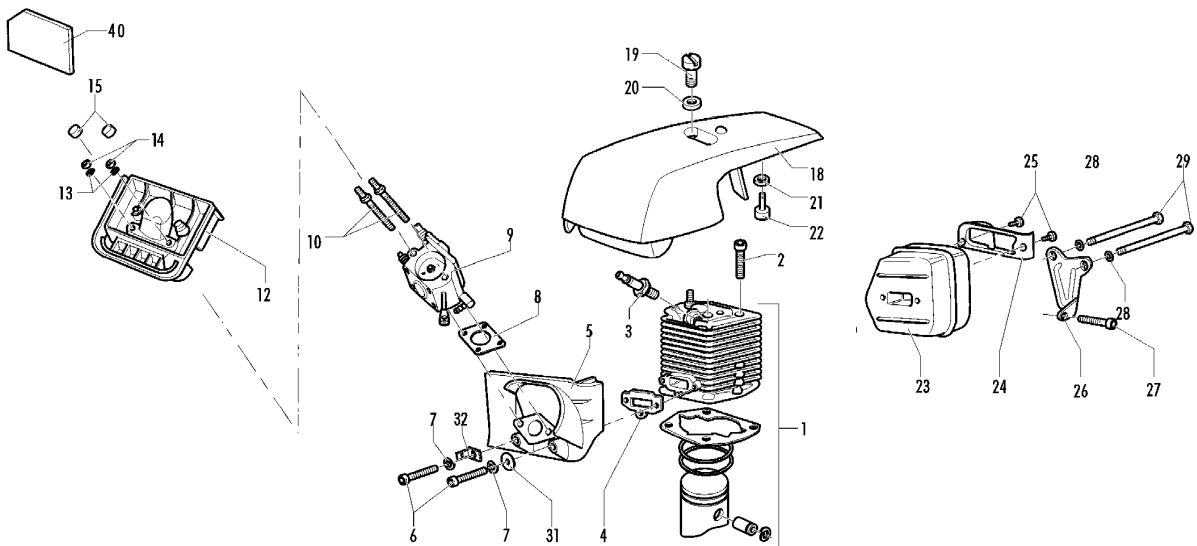
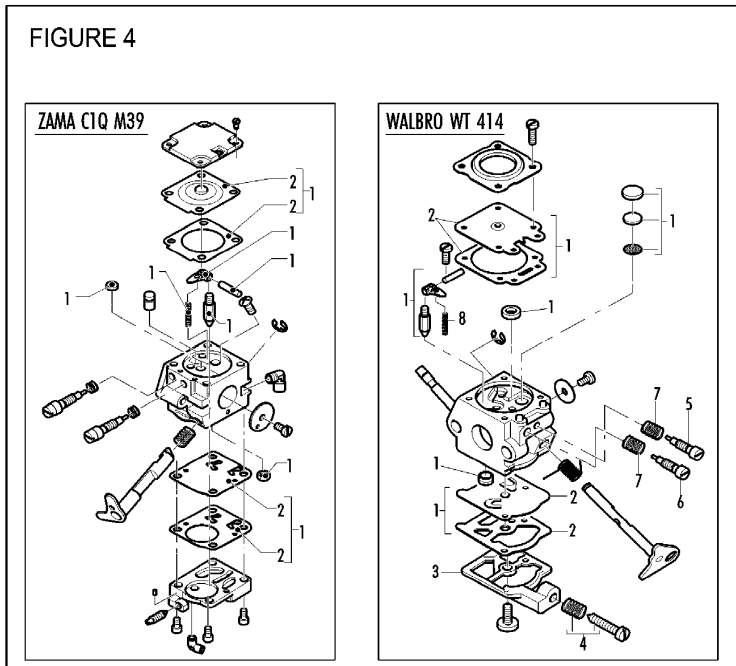


FIGURE 2

Item	P/N McC	P/N ELX	Qty	DESCRIPTION
------	---------	---------	-----	-------------

Item	P/N McC	P/N ELX	Qty	DESCRIPTION
------	---------	---------	-----	-------------

FIGURE 2
FIGURE 3

C 1		FIGURE 3		
2	227565	538227565	4	screw M5x25
A 3	92879	538092879	1	spark plug RDJ8J
B 4	240345	538240345	1	gasket
5	240271	538240271	1	carb.spacer
6	236997	538236997	2	screw M5x30
7	236529	538236529	2	split washer
A 8	227692	538227692	1	gasket
C 9		FIGURE 4		
10	240328	538240328	2	bar bolt
12	240262	538240262	1	air filter box
13	235248	538235248	2	washer M5
14	235216	538235216	2	nut M5
15	241239	538241239	2	rubber cap
18	242669	538242669	1	engine cover
19	• 240320	538240320	1	screw
20	• 240321	538240321	1	washer
21	• 236936	538236936	1	washer
22	• 240272	538240272	1	fan baffle
23	240291	538240291	1	muffler
24	• 240297	538240297	1	promac muffler buffle
25	• 236981	538236981	2	screw T5
26	240299	538240299	1	muffler support
27	236997	538236997	1	screw M5x30
28	227626	538227626	2	washer D5
29	227567	538227567	2	screw M5x70
31	235248	538235248	1	washer M5
32	228139	538228139	1	faston male
40	241238	538241238	1	air filter

38cc				
C 1	247253	538247253	1	38cc pyston/cylinder kit
B 2	• 240343	538240343	1	gasket
C 3	• 247256	538247256	1	38cc piston kit
4	•• 235008	538235008	2	snap ring
B 5	•• 240005	538240005	2	38cc piston ring

WALBRO WT 414

C	240350	538240350	1	carburetor WT 414
B 1	• 247260	538247260	1	main kit K20 WAT
A 2	•• 229191	538229191	1	gasket - diaphragm.W
3	• 247261	538247261	1	pump cover
4	• 237481	538237481	1	idle screw kit
5	• 247388	538247388	1	HI screw carb.WT 414
6	• 246540	538246540	1	high speed needle
7	• 229601	538229601	2	needles spring
C 8	• 247387	538247387	1	98-3249 spring

ZAMA C1QM39

C	242062	538242062	1	carburetor ZAMA C1Q M39
B 1	• 226226	538226226	1	repair kit C1Q
A 2	•• 226227	538226227	1	gasket-diaphragm C1Q

A=ALTA ROTAZIONE
B=MEDIA ROTAZIONE
C=ALTA ROTAZIONE
NUOVI CODICI

A=HIGH MOVING
B=MEDIUM MOVING
C=SLOW MOVING
NEW P. NUMBERS

A=HAUTE DEMANDE
B=MOYENNE DEMANDE
C=BASSE DEMANDE
NOUVELLES REFERENCES

A=GROBE NACHFRAGE
B=MITTELMAESSIGE
C=WENIGE NACHFRAGE
NEU CODEX

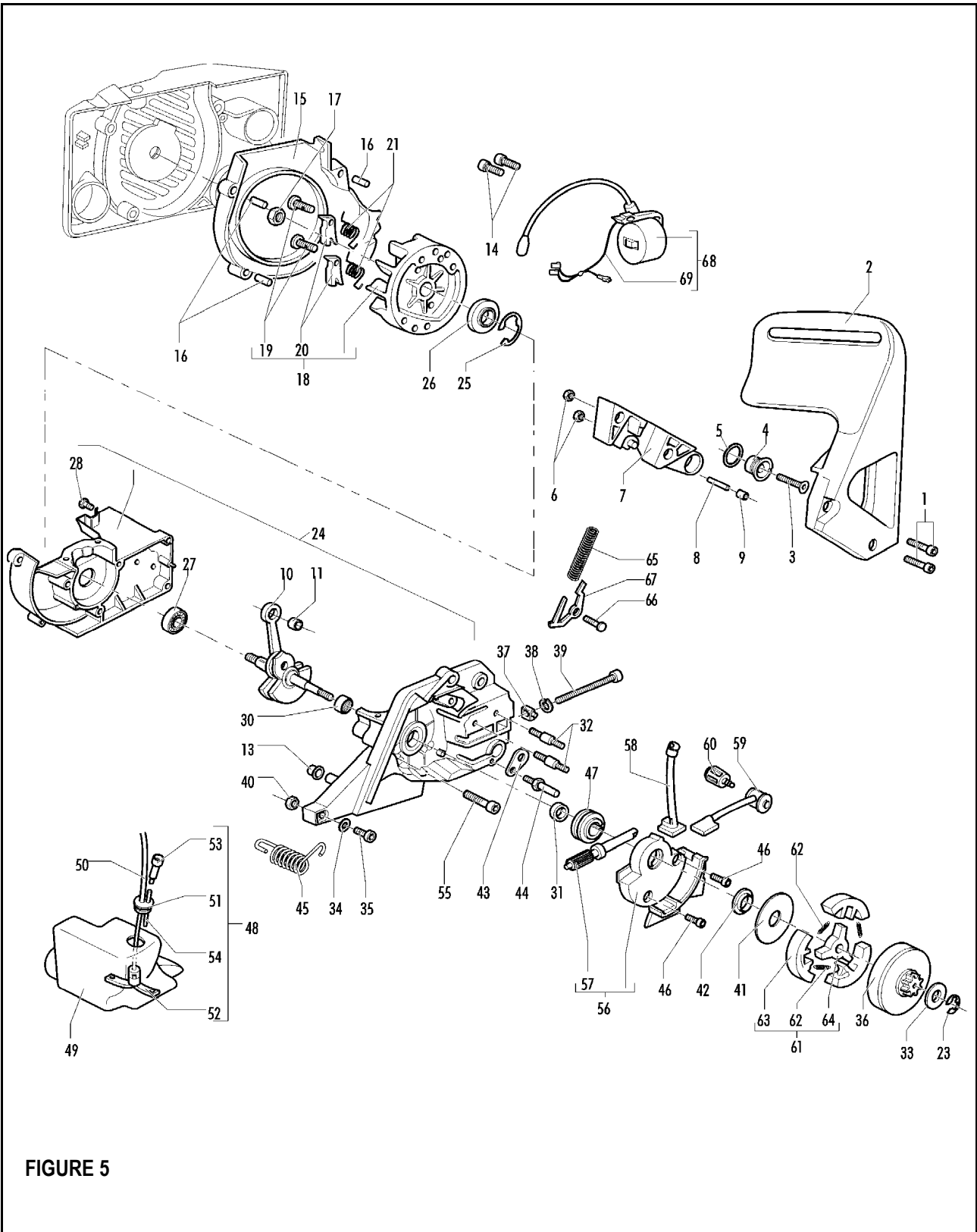


FIGURE 5

Item	P/N McC	P/N ELX	Qty	DESCRIPTION
------	---------	---------	-----	-------------

Item	P/N McC	P/N ELX	Qty	DESCRIPTION
------	---------	---------	-----	-------------

FIGURE 5

1	235806	538235806	2	screw M5x20
C 2	241907	538241907	1	brake lever
3	241905	538241905	1	screw M6x25
4	241904	538241904	1	sleeve
5	241906	538241906	1	washer D.10X15X1
6	235642	538235642	2	nut M5
7	241902	538241902	1	brake housing
8	242017	538242017	1	band pivot
9	241903	538241903	1	brake needle
10	241871	538241871	1	crankshaft assy 38cc
C 11 •	235742	538235742	1	needle bearing 0 9X14X12MM
13	235672	538235672	1	rubber support (tank)
14	235806	538235806	2	screw M5x20
15	247290	538247290	1	air conveyor
16 •	240358	538240358	3	spacer
17	235218	538235218	1	nut M8
18	242621	538242621	1	flywheel
B 19 •	235516	538235516	2	pin (starter pawl)
B 20 •	235517	538235517	2	starter pawl
B 21 •	235518	538235518	2	starter spring
23	229137	538229137	1	benzing 4mm
24	248497	538248497	1	crankcase kit
25 •	235899	538235899	1	seeger ring
C 26 •	241879	538241879	1	seal 15X32X4/5
27 •	235900	538235900	1	ball bearing 6002 15/32/9
28 •	241077	538241077	1	self-threading screw 4X14
30 •	241253	538241253	1	needle bearing 15X21X12
C 31 •	228872	538228872	1	seal 13-32-5 (S7)
B 32 •	241880	538241880	2	bar bolt M6
33	235287	538235287	1	clutch waler
34	227259	538227259	1	washer
35	235806	538235806	1	screw M5x20
B 36	240260	538240260	1	drum sprocket 3/8
B 37	241908	538241908	1	bar adjustment nut
B 38	235367	538235367	1	benzing 4mm
B 39	241909	538241909	1	screw
40	235642	538235642	1	nut M5
41	241346	538241346	1	washer
42	242006	538242006	1	clutch spacer
43	240309	538240309	1	oil cap plate
C 44	240363	538240363	1	chain catcher
B 45	240286	538240286	1	spring

46	235802	538235802	2	screw M5x14
C 47	241882	538241882	1	oil pump screw
48	240920	538240920	1	fuel tank assy
49 •	240300	538240300	1	fuel tank
B 50 •	240868	538240868	1	fuel hose
C 51 •	235675	538235675	1	fuel tank grommet
A 52 •	240452	538240452	1	fuel pick up
C 53 •	227582	538227582	1	vent filter
54 •	229716	538229716	1	breather pipe oil tank
55	236997	538236997	4	M5x30 screw
B 56	241883	538241883	1	oil pump assy
C 57 •	241885	538241885	1	oil pump piston kit
58 •	241895	538241895	1	pipe joint
59 •	241896	538241896	1	oil pump tube
C 60 •	225062	538225062	1	oil filter
61	242004	538242004	1	clutch assy
B 62 •	240926	538240926	3	spring
63 •	227359	538227359	3	shoe clutch
64 •	242005	538242005	1	rotor clutch
65	235076	538235076	1	brake spring
66 •	235075	538235075	1	latch pivot
67 •	94006	538094006	1	brake latch
C 68	243029	538243029	1	ignition coil assy
C 69 •	243040	538243040	1	wires assy

A=ALTA ROTAZIONE
B=MEDIA ROTAZIONE
C=ALTA ROTAZIONE
NUOVI CODICI

A=HIGH MOVING
B=MEDIUM MOVING
C=SLOW MOVING
NEW P. NUMBERS

A=HAUTE DEMANDE
B=MOYENNE DEMANDE
C=BASSE DEMANDE
NOUVELLES REFERENCES

A=GROBE NACHFRAGE
B=MITTELMAESSIGE
C=WENIGE NACHFRAGE
NEU CODEX